

# ORCADRAIN

*Polymer concrete Pit range*



**ORCA**  
Civil Products

# ORCA Drain

## Polymer concrete pit range

Orca pits and risers are manufactured in Australia to provide market leading quality and performance.

Orca Polymer Concrete products are moulded from high density polymer concrete. Advanced product features include:

- Safer lifting weight than concrete for improved OH&S
- Polymer concrete is 4 times stronger by weight than concrete
- Transparent to radio waves
- Non Corrosive and inherently impermeable
- Electrically non Conductive
- Corner locking points for added security
- Resistant to heat and is non-flammable

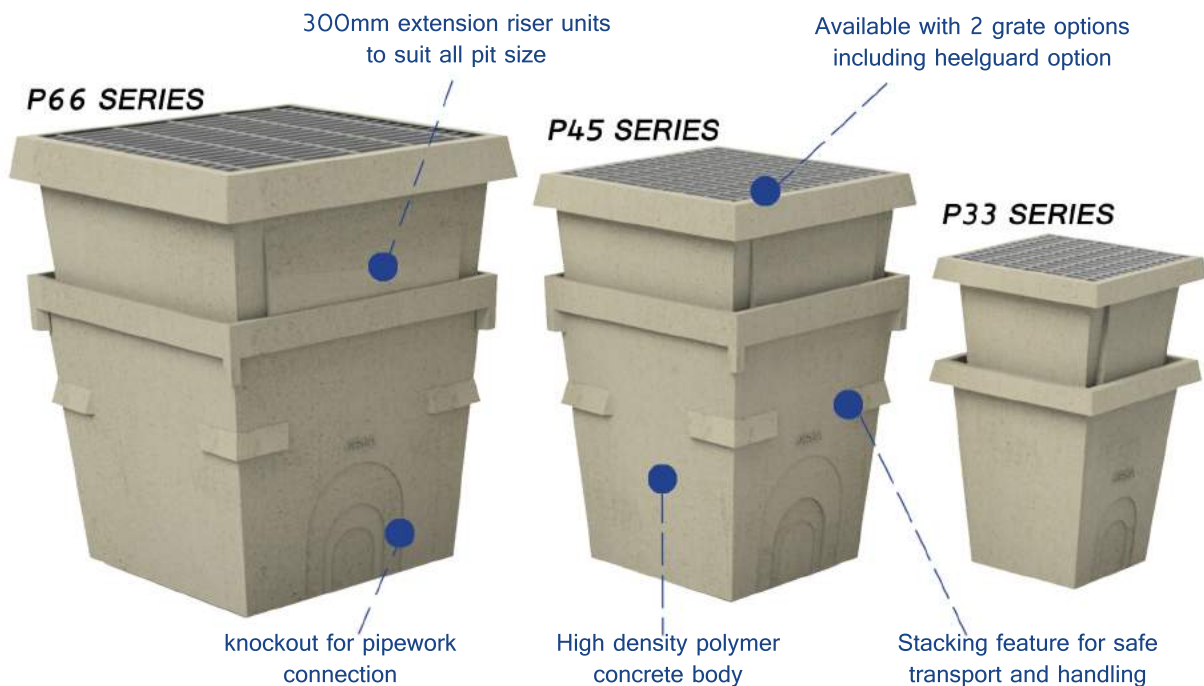
### AS3996:2006 Load Rating Guide

 **Class A**  
Extra Light

 **Class B**  
Light

 **Class C**  
Medium

 **Class D**  
Heavy



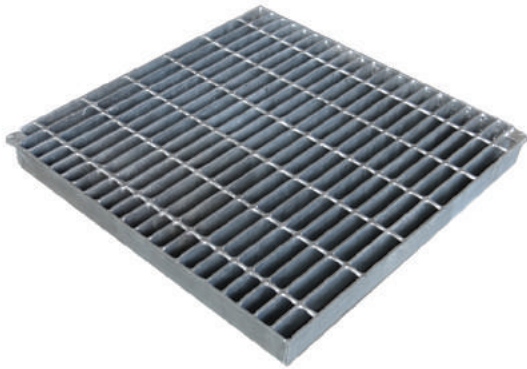
### Polymer concrete pit and riser series

Series	Product code	Description	Internal Length	Internal width	Overall Depth	Class load	Weight
<b>P33</b>	500100	P33 Pit	300mm	300mm	450mm	D210	24kg
<b>R33</b>	500105	R33 Riser	300mm	300mm	300mm	D210	13.6kg
<b>P45</b>	500200	P45 Pit	450mm	450mm	600mm	D210	43kg
<b>R45</b>	500205	R45 Riser	450mm	450mm	300mm	D210	20kg
<b>P66</b>	500300	P66 Pit	600mm	600mm	600mm	D210	60.5kg
<b>R66</b>	500305	R66 Riser	600mm	600mm	300mm	D210	28kg

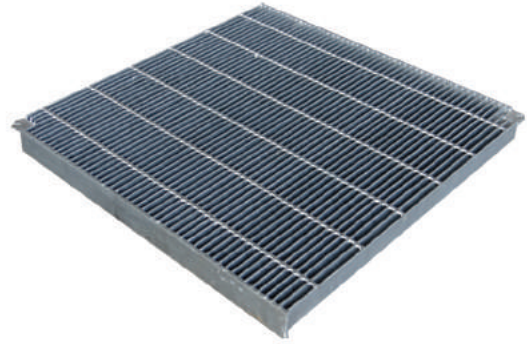
# ORCA Drain

## Light and heavy duty galvanised grates

*Galv steel grate range*



*Galv heelguards steel grate range*



### Galv Steel Grates

Series	Product code	Name	Description	Class load	Weight
P33	500120	G30A	G30A Light Duty Galv Steel Grate	B80	4.5kg
P33	500130	G30C	G30C Heavy Duty Galv steel Grate	C150	5.7kg
P45	500220	G45A	G45A Light Duty Galv Steel Grate	A10	9.5kg
P45	500225	G45B	G45B Medium Duty Galv Steel Grate	B80	15.6kg
P45	500230	G45C	G45C Heavy Duty Galv Steel Grate	C150	20kg
P66	500320	G60A	G60A Light Duty Galv Steel Grate	A10	17.8kg
P66	500325	G60B	G60B Medium Duty Galv Steel Grate	B80	26kg
P66	500330	G60C	G60C Heavy Duty Galv Steel Grate	C150	34.9kg

### Galv Steel Grates

Series	Product code	Name	Description	Class load	Weight
P33	500155	GHG30C	GHG30C Heavy Duty Galv Steel Heelguard Grate	C150	7.5kg
P45	500250	GHG45B	GHG45B Medium Duty Galv Steel Heelguard Grate	B80	13.6kg
P45	500255	GHG45C	GHG45C Heavy Duty Galv Steel Heelguard Grate	C150	17.5kg
P66	500350	GHG60B	GHG60B Medium Duty Galv Steel Heelguard Grate	B80	40.4kg
P66	500355	GHG60C	GHG60C Heavy Duty Galv Steel Heelguard Grate	C150	43kg

Call us on 1300 80 80 20



# Installation Detail

## Legend

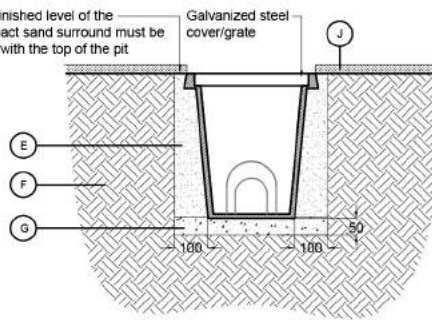
- |               |                 |                         |                   |
|---------------|-----------------|-------------------------|-------------------|
| A Asphalt     | D Bedding layer | G Concrete (min 25 mpa) | J Grass           |
| B Base course | E Compact sand  | H Pavers                | K Concrete haunch |
| C Road base   | F Earth         | I Motar                 |                   |



**Class A**  
*Extra Light*

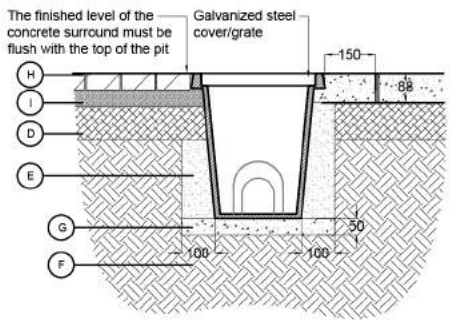
### Grass

The finished level of the compact sand surround must be flush with the top of the pit

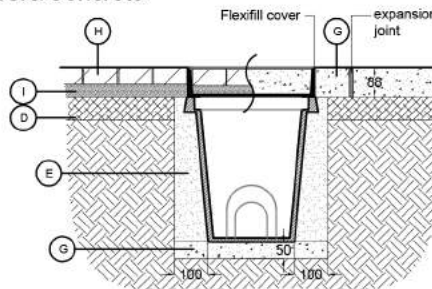


### Brick/Concrete

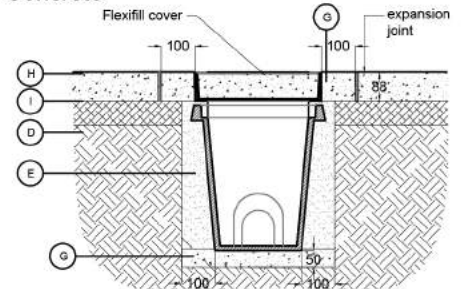
The finished level of the concrete surround must be flush with the top of the pit



### Pavers/Concrete



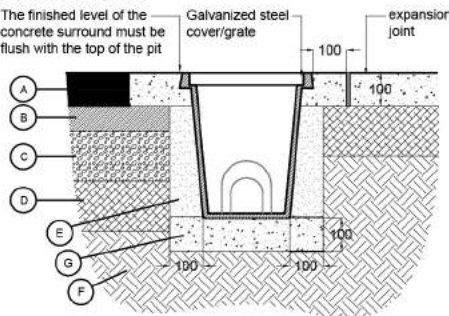
### Concrete



**Class B**  
*Light*

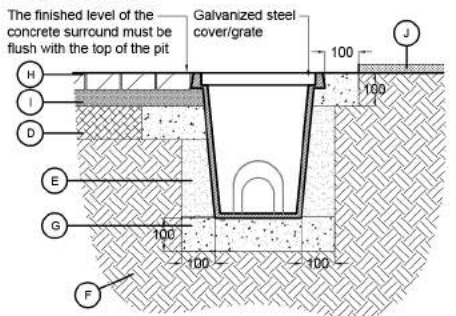
### Asphalt/Concrete

The finished level of the concrete surround must be flush with the top of the pit



### Brick/Concrete

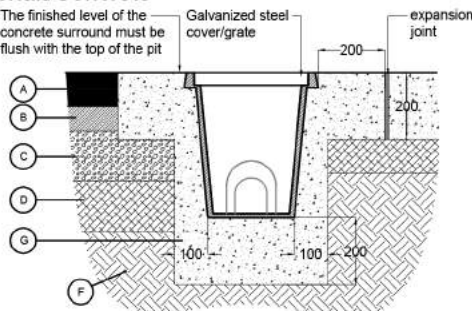
The finished level of the concrete surround must be flush with the top of the pit



**Class C**  
*Medium*

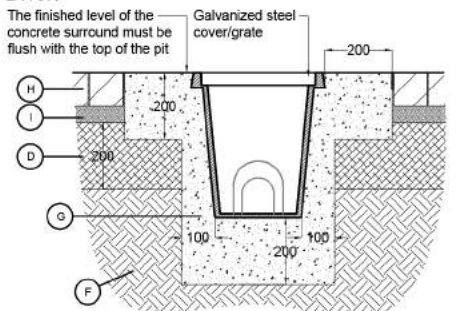
### Asphalt/Concrete

The finished level of the concrete surround must be flush with the top of the pit



### Brick

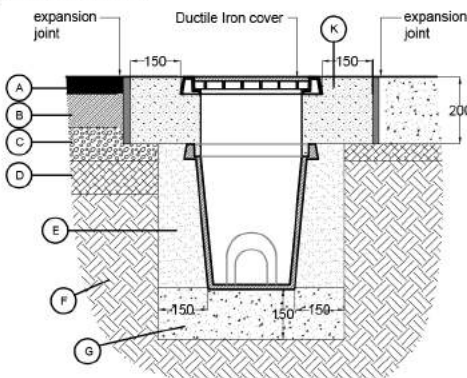
The finished level of the concrete surround must be flush with the top of the pit



**Class D**  
*Heavy*

### Asphalt/Concrete

The finished level of the concrete surround must be flush with the top of the pit



### Concrete

The finished level of the concrete surround must be flush with the top of the pit

